

# locks

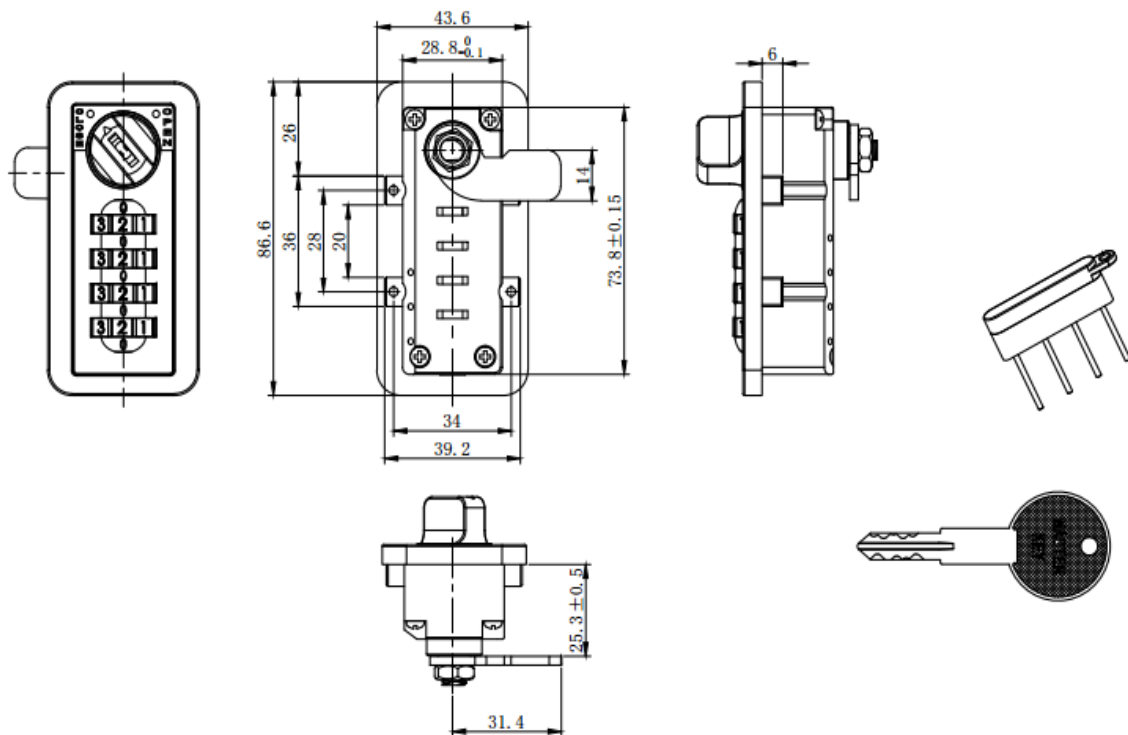
## Combination Lock Product Guide

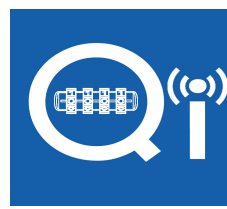
Item No.: PL707

Material: Zinc alloy , ABS,brass

### Features:

- Keyless convenience
- User can set their own codes easily
- Master key control, emergency override
- 10,000 combinations available
- Retrieve the combination by tool when forget password
- Application for metal ,wooden and plastic doors
- Can be used on doors with a thickness up to 20mm





# locks

## Operating Instructions

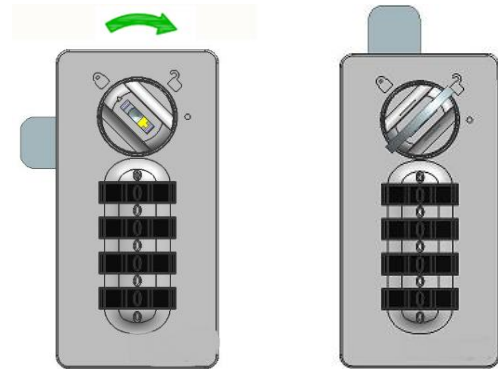
To unlock: Enter the factory code "0-0-0-0", turn the knob to the open position, and then open the door

To lock: Close the door, turn the knob to the close position, scramble the code

(Notes: do not leave the correct codes displayed)

## Set Code Instructions

- Enter the current code, turn the knob to the open position
- Set any 4 digit code
- Turn the knob to the close position
- Scramble the code



## Operate with the Manager Key

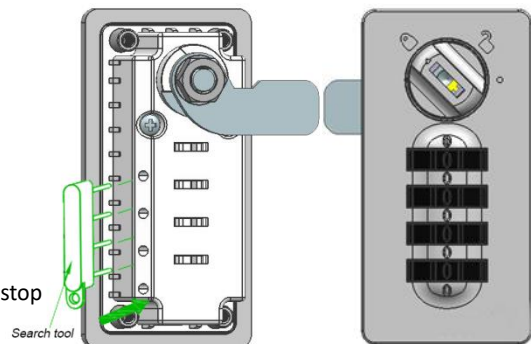
- Insert the master key
- Turn the knob to the open position
- Open the door

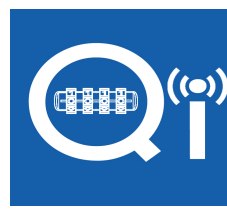
Note: If opened in error, use the master key to turn knob to close position, the original code will continue to operate the lock

If the code is forgotten, follow the search code instruction to find code

## Search Code Instructions

- Insert the master key to open the door
- Remove the master key
- Turn the knob to the close position
- Insert search tool into the holes (back of lock)
- Push in search tool and simultaneously turn the dials until they stop
- The code displayed is the current code

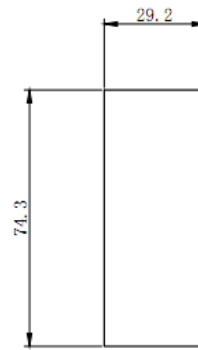




# locks

## Install Guide

1. Cut the mounting hole 74.3X29.2mm
2. Install the lock on the door
3. Chose the different size installation plate to suit the different thickness of door ,the max up to 20mm
4. Fix four screws



For door thickness  
0.5~12mm

For door thickness  
12~20mm